

Free of Charge - No Obligation  
Design and Advisory Service for Formwork  
and Temporary Works Projects

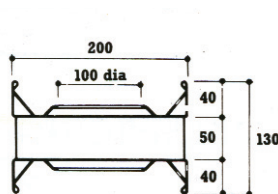
# WILLIAMSON CONSTRUCTION EQUIPMENT LIMITED

WEBSITE: [www.wcelimited.co.uk](http://www.wcelimited.co.uk)

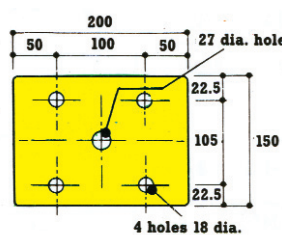
E-MAIL: [hireandsales@wcelimited.co.uk](mailto:hireandsales@wcelimited.co.uk)

# MINI SLIM

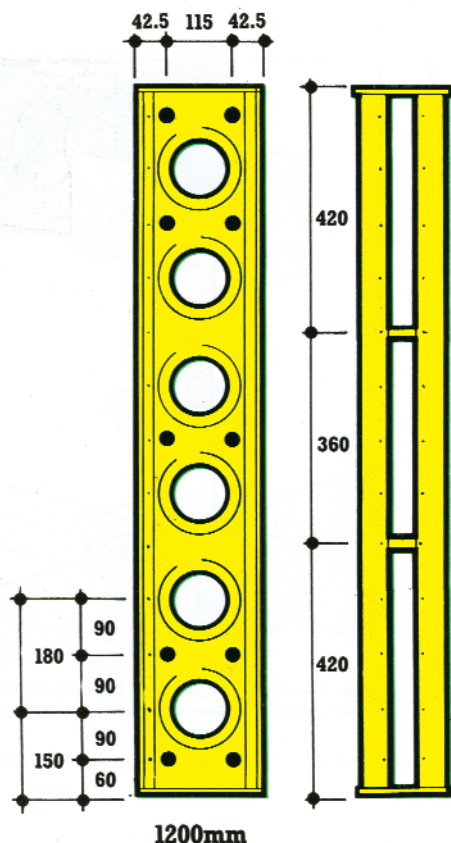
## SOFFIT SUPPORT & WALL SOLDIER APPLICATIONS



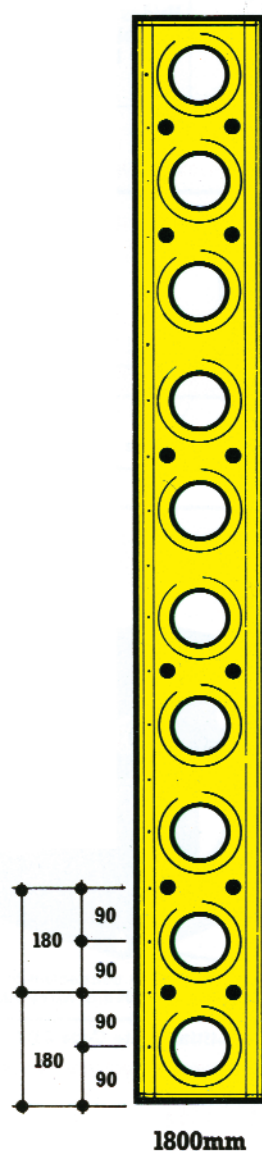
SECTION THROUGH



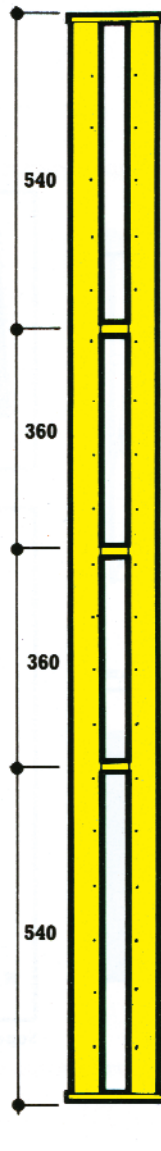
PLAN ON END PLATE



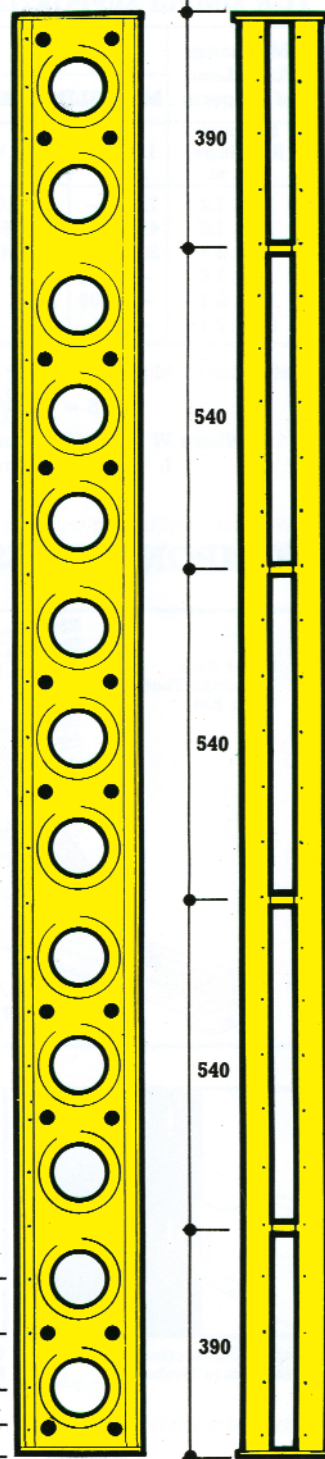
1200mm



1800mm



2400mm



## ACCESSORIES FOR USE WITH AL-FORM ALUMINIUM WALINGS

Description	Weight (Kg)
RMD M12 Unifix Bolt	0.05
M12 Hex Nut	0.01
Al-form Beam Clamp Plate	0.11

## ACCESSORIES FOR USE WITH TIMBER WALINGS

Description	Weight (Kg)
Metric Waling Bolt 117 x 117	0.31
Metric Waling Bolt 176 x 127	0.42
Super Slim Waling Clamp Plate	0.91
Plate Washer 50 x 80 x 6 x 18 dia.	0.22
M16 Hex Nut (for 1778 & 1779)	0.02

## MAXIMUM PERMISSIBLE SLAB DEPTHS (mm) FOR SIMPLY SUPPORTED PRIMARY BEAMS

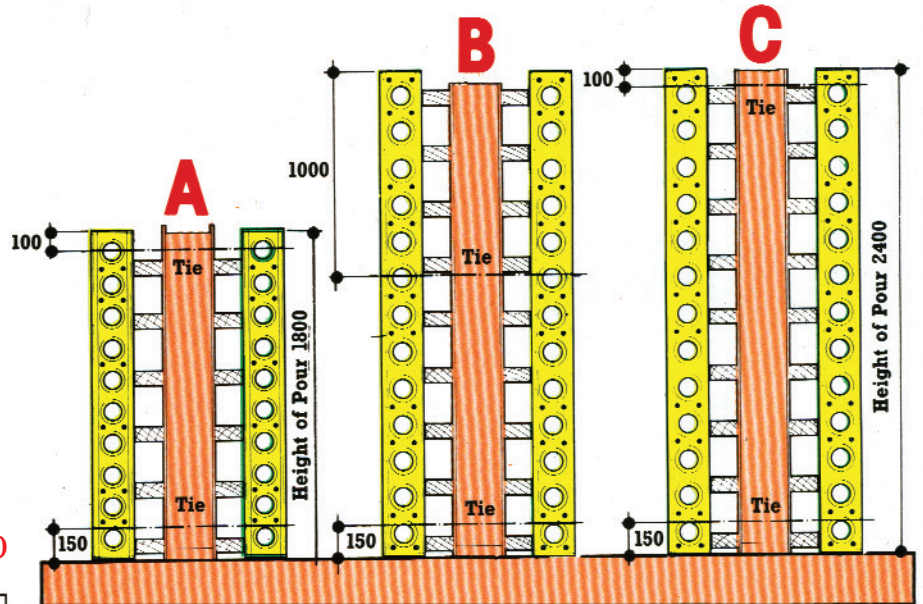
Maximum Axial Load of Supports	30kN			40kN			55kN		
	MINI SLIM SPAN (Metres)								
Support Spacings m x m	1.2	1.8	2.4	1.2	1.8	2.4	1.2	1.8	2.4
1.2 x 1.2	750	—	—	1030	—	—	1450	—	—
1.2 x 1.8	475	475	—	660	660	—	940	940	—
1.2 x 2.4	335	—	335	475	—	475	685	—	615
1.8 x 1.8	—	290	—	—	415	—	—	600	—
1.8 x 2.4	—	195	195	—	290	290	—	430	380
2.4 x 2.4	—	—	125	—	—	200	—	—	270

Deflection for Mini Slim Primary Beams above calculated from

$$S = \frac{W(L)^4}{90.00} \text{ (mm)}$$

Where W = Unit Slab loading in kN/m run  
L = Span of Mini Slim Beam in metres

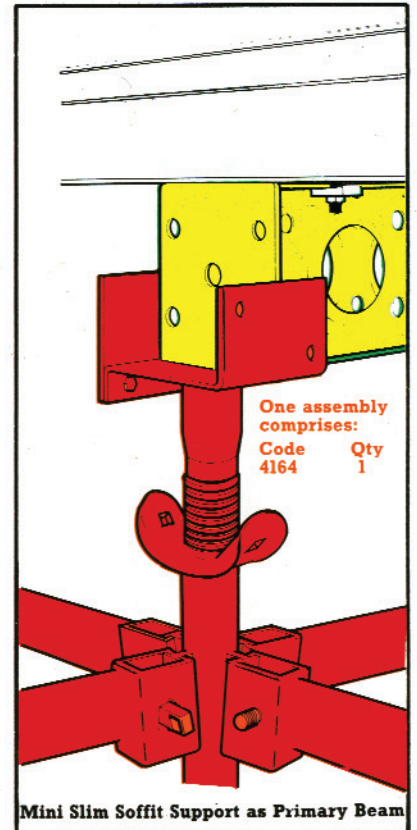
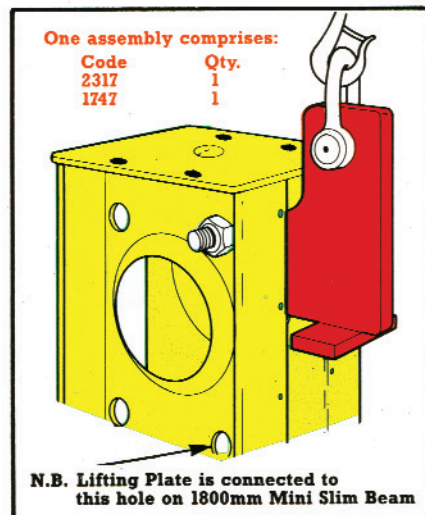
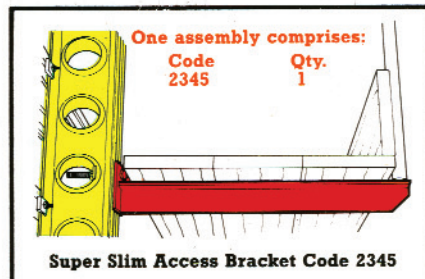
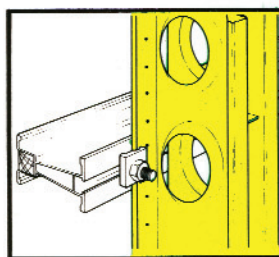
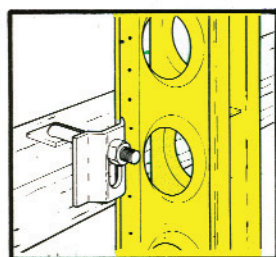
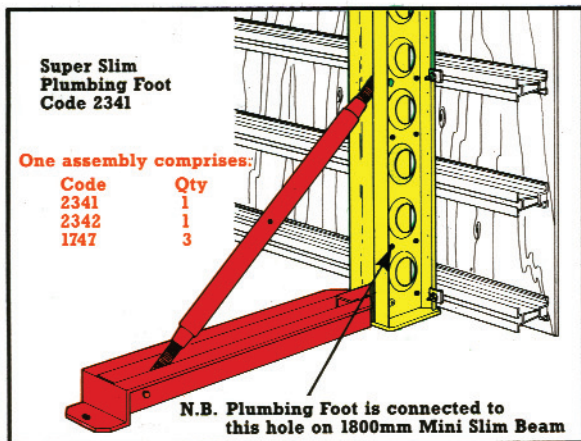
## WALL SOLDIER ARRANGEMENT



## MINI-SLIM SPACING - WALL APPLICATIONS

Concrete Pressure kN/m <sup>2</sup>	Spacing of Mini Slims for Arrangement "A" (mm)	Spacing of Mini Slims for Arrangement "B" (mm)	Spacing of Mini Slims for Arrangement "C" (mm)
40.0	1100	1205	740
45.0	1050	1160	715
50.0		1090	695
55.0	Void as Maximum pressure possible is full liquid head = 1.8m x 25kNm <sup>2</sup>	1050	690
60.0		1040	685

## COMPONENT ASSEMBLY



## NEWCASTLE DEPOT (HEAD OFFICE)

TEL: 0191 215 0222  
FAX: 0191 266 4859

## CARLISLE DEPOT

TEL: 01228 514 814  
FAX: 01228 599 815